

: MDB 20 DC ~ 45 DC ( )  
 VCCS : 24 DC ± 10% ( )  
 Executive: 24 ( )

: ≤ 3.6  
 ≤ 15.6  
 ≤ 15.6 /  
 36 ( )  
 - : -15°C ~ +60°C  
 - : -30°C ~ +70°C  
 : 0.2°C /

: ≤ 85% ( )  
 : MDB, Executive VCCS  
 : 16 ~ 28  
 : 1.2 ~ 2.6  
 : 6  
 :

	A	B	C	D	E	F
26.0 - 28.5	v, *	v, *	-	-	-	-
24.0 - 26.0	v, *	v, *	v	v	v	v
22.0 - 24.0	v, *	v	v	v	v	v
20.0 - 22.0	v	v	v	v	v	v
18.0 - 20.0	v	v	v	v	v	v
16.0 - 18.0	v	v	v	v	v	v
(* Escrow)						

/ : 1  
 - , : 138( ) x 81( ) x 369.6( )

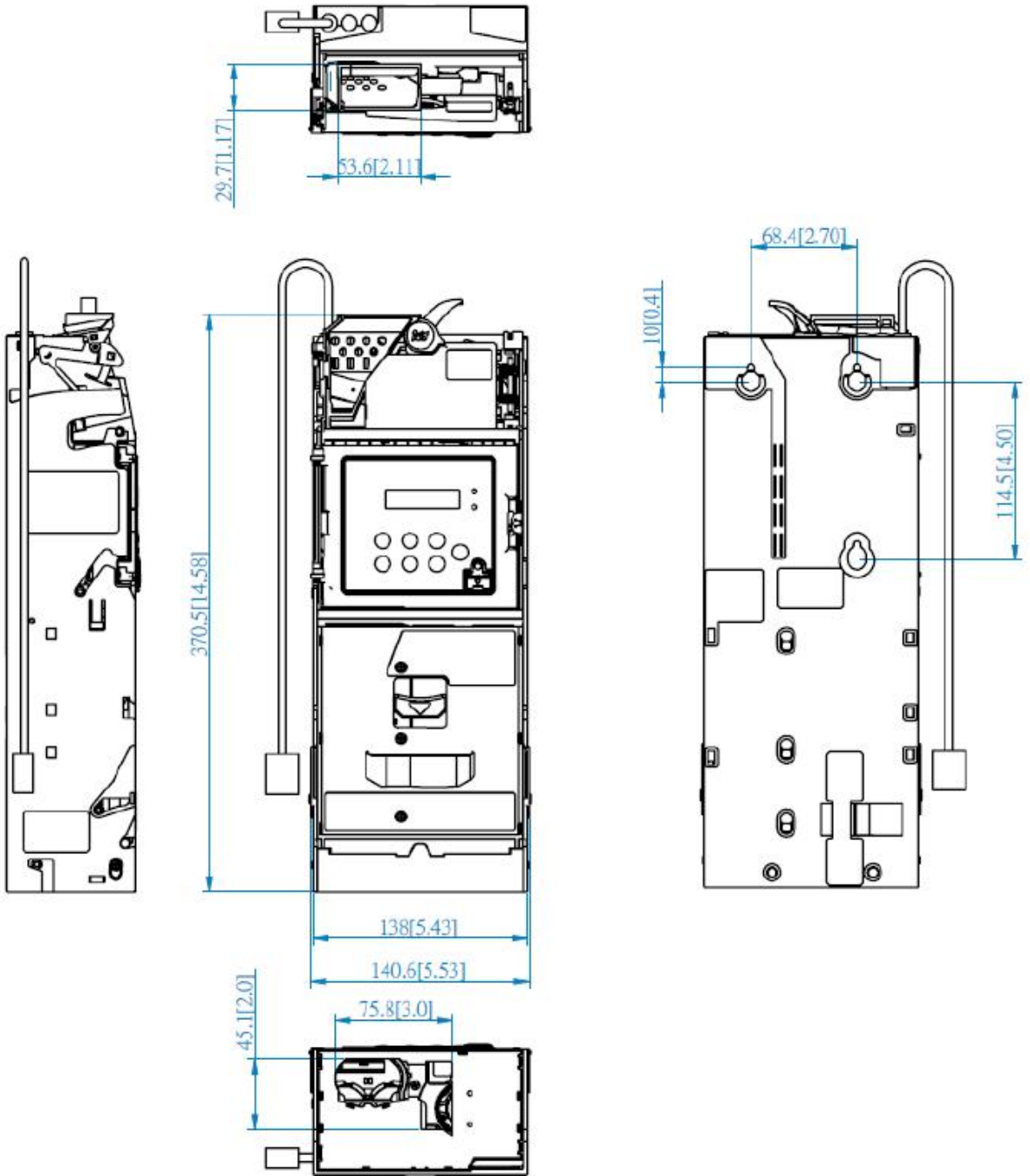
: ± 3°

, \_\_\_\_\_ - ± 3°

: Manual, DDD ABCD

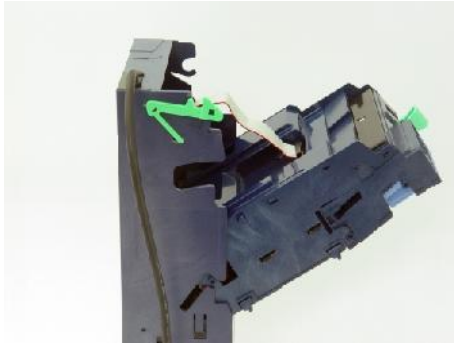
: +7-499-124-5601, 109 ( ), 120 ( )

- 6100, [ ]:



1.

(



2.



3.

(

).

4.

5.

6.

( )

)

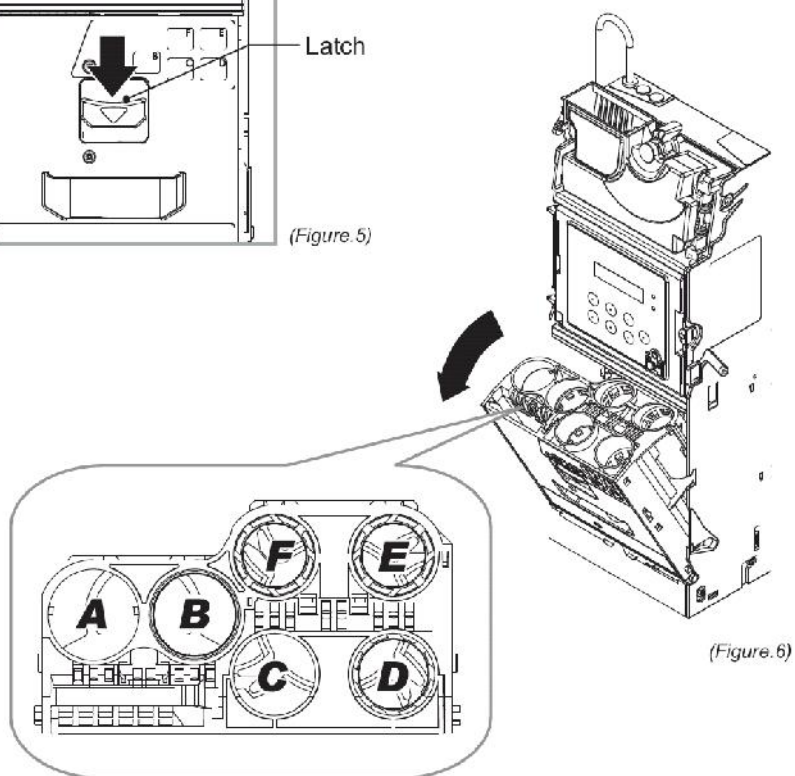
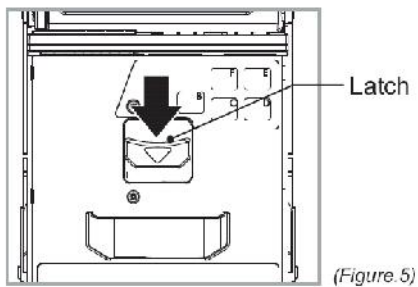
( )

):

	A	B	C	D	E	F
	10 .	10 .	5 .	5 .	2 .	1 .
** ( .)	54	54	66	66	66	79
** ( .)	6	6	8	8	8	10

).

\*\*



:

3-5 .

( ).

, « »,

.

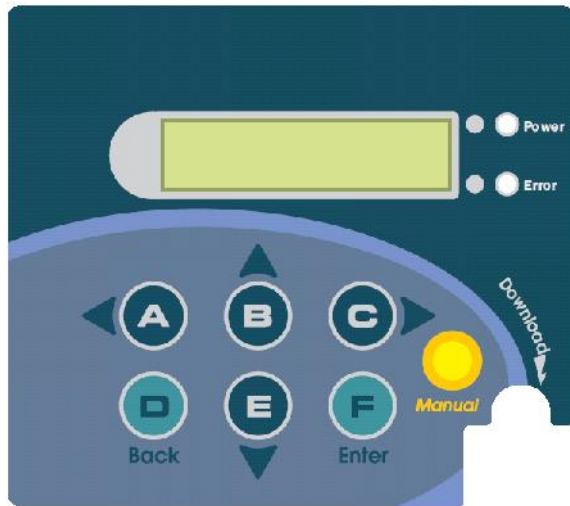
,

.

, ,

( ).

1. 6100 , ( ) .
2. , , , .
3. ( , , , ) .
4. (A, B, C, D, E, F), , 6 .



–  
B–  
C–  
D–  
E–  
F–

.  
B.  
C.  
D.  
E.  
F.

–  
–  
–  
–  
–  
–

/

	( . )	( )	( )
100	Refill Coin		
101	Total In/Out	( - )	
115	Clear Tube Count		
129	Language Select		2014 .

C  
( , : DDDABCD)

	( . )		( )
102	Reset Records	( - )	
103	Accept/Reject Coin Switch		
104	Tube Open/Close Switch		.
107	Configure Cash Flow	( 3 , )	. .
108	Activate Cash Flow	( , )	
109	Check Current Cash Float		. .
110	Change Mgmt.		. JPSTD
111	Idle Display		.
112	BA Type Setting (MDB)		
113	Default Setting		. .
115	Clear tube count		
116	Cassete Type		
117	Error Info		.


118	Bill(s) per Transaction (MDB)	1 9), <i>ICT</i>	(
119	CashFlow Mode		.
120	Set ID		
121	Coin->CashBox Setting		
124	Reserved Coin Setting		.
125	Accessability Options		.
127	Residual Credit		
128	Token Learning mode	«	
129	Language		
130	Reject Lever Setting (MDB)	Reject Lever Setting	
133	Decimal and Scaling	( 6100 MDB)	
134	Currency Code		

C

EXECUTIVE

(

)

	( . )		
200	Sell Mode		
201	Price Display		
202	Product Price Setting		
203	Price Holding Mode		
204	2 <sup>nd</sup> Price for Cashless		
205	Enable Bill Acceptance		
206	Decimal Point Adjustment		 <hr/> <hr/> <hr/> <p style="text-align: right;"><b>202, 208</b></p> <p><b>209.</b></p>
207	Residual Credit		
208	Acceptance limit For Changer		
209	Credit limit For Cashless		
210	Bill(s) per Transaction		
211	Exact Change Notice		



Manual

(

)

3

,

\_\_\_\_\_

\_\_\_\_\_

(

,

-

).

\_\_\_\_\_

.

\_\_\_\_\_

)

3

(

,

.

( \_\_\_\_\_ )

Manual

( \_\_\_\_\_ )

100

(Coin Refill).

Refill Coin  
100

Enter

Pls Refill Coin

107).

:

- A,- B,- C  
- D,- E,- F

:

- 70,- 61,- 55  
- 49,- 50,- 53

:

- 40,- 32,-  
- 40,- ,-

!!-

20

( \_\_\_\_\_ )

Total In/Out  
101

Manual

( \_\_\_\_\_ )

101

(Total In/Out).

Enter

PayIn : \$0  
PayOut : \$0

Pay In: .  
Pay Out: ( ).

<> <>.

Difference: +  
\$0

<<Difference>> <<+>, N, N, N, N  
, <<->, N, ,

Manual.

---

- ( )

Manual

( ) 102

Reset Records  
102

Enter

Check Current  
Are You Sure?

Data has been  
erased

Manual.

Manual

( ) 103

Accept/Reject  
Coin Switch 103

Enter

Accept -  
Reject -

EUR \$0.05 : Accept  
Enter to Change

Enter.

Manual.

( Manual )

104

Tube Open/Close  
Switch 104

Enter

TUBE A ON  
Enter to Change

ON ( ) OFF ( ).

Enter,

Manual.

(  
Manual  
)

107.

, C ( ).

( ) \*\*:

1 .	78	78	78
10 .	104	104	104
5 .	128	128	128
2 .	64	64	64

\*\*

Configure  
Cash Flow 107

ENTER

( ,C , ).

Type A

ENTER

EUR \$ 0.05  
Level TO CB 70

( , -70 0,05 ).

ENTER

Change Set Q'TY  
55

Enter, 1. 10. , :

Saved

).

( Manual,

Save setting? « »

IS Save Settnig?  
D=NO , F=YES

D- ,F- ( , )

Manual.

108. ( )

ENTER

Activate  
Cash Flow 108

( ,C

TYPE A

Enter,

.(

Manual).

Overwrite  
Finish

\_\_\_\_\_

Manual.

(

)

109.

Check Current  
Cash Float 109

ENTER

\$0.05 Cash Flow  
070

( ,

- 70

0,05

).

Manual.

\_\_\_\_\_

110.

,

JPSTD.

111.

(

)

Manual.

111

Display Method  
111

Enter

:

Q-ty of tube -  
Total coin value -

Q'TY of Tube  
Enter to Change

(

),

Manual.

( CC6100 MDB)

6100

ICT.

Manual

( )

BA Type Setting  
 112

Enter : JPSTD/JPSTD with  
 escrow/MDB/MDB with escrow...

BA: JPSTD  
 Enter to Change

( ), Manual.

---

Manual

( )

Default Setting  
 113

Enter.

Default Setting  
 Are You Sure?

Enter

Manual

---

115. Manual

( )

115.

!!

Clear Tube Count  
 115

Enter,

Clear Tube Count  
 Are You Sure?

Enter

Clear Tube Count  
 Clear Finish

Manual

---

116. Manual

( )

116.

( )

	A	B	C	D	E	F
Mode1	10	10	5	5	2	1
Mode2	10	2	2	5	2	1
Mode3	2	2	5	5	2	1
<b>Mode4</b>	<b>10</b>	<b>10</b>	<b>5</b>	<b>5</b>	<b>10</b>	<b>1</b>

117.

Manual

( )

117.

Error Info	117
------------	-----

Enter.

:  
 'Sort\_Error' -  
 'TubeSensor\_Error' -  
 'Motor\_Error' -

No_Error	
----------	--

Manual

- ( 1 9 )  
 ( CC6100 MDB )

- ICT

118.

Manual

( )

118.

Bill(s) per Transaction	118
-------------------------	-----

Enter ,

Bill Counts	1 PCS
-------------	-------

Enter.



Setting  
Finish

Manual

119. 

---

 Manual

119.

1. Cashflow -

2. Sensor mode -

N -  
H -  
L -

A=N , B=N , C=N  
D=L , E=H , F=H

«Sensor mode»

: 100, 107, 108, 109

111.

: «Cashflow»

CashFlow Mode  
119

Enter

CashFlow  
Enter to Change

Manual

120. 

---

 Manual

120.

Set ID  
120

(Customer number)

16

( 0

9),

Customer Number  
1234567891230000

(Machine number)

12

( 0 9 A Z).

Machine Number  
123456789123

Enter

:

F

Enter

Customer Number  
Finish

Manual

121.

Manual

( )

121.

Coin->CashBox  
Setting 121

:

Same coin Value -

( ),  
(  
)

Total Coin Value --

( ),  
(  
)

Same coin Value.

Enter.

Same Coin Value  
Enter to Change

Manual.

124.

Manual

( )

124.

(

).

Reserved Coin  
Setting 124

ON -

OFF,

OFF  
Enter to Change

Enter.

Manual.

125.

Manual

( )

125.

:

Door-ON:

Door- OFF:

PW-ON:

PW-OFF:

Door-Switch  
Setting 125

Door-OFF  
PW-ON

Enter.

Setting  
Finish

Manual

127.

Manual

( )

127.

Credit Stay  
Setting 127

:

ON -

OFF -

ON  
Enter to Change

Enter.

Manual.

128.

Manual

128.

Token Teach 128

Enter

Token A

Enter

Token learn -

Token Learn

Token delete -

Enter

Token

learn.

Coin Insert: --

3 10

Manual.

( - 2014)

129.

Manual

129.

2014.

Language Select 129

Enter

Language Select English

Manual

( CC6100 MDB)

130.

Manual

130

- "Reject Lever Setting 130".

On/Yes -

Off/No -

Enter.

ON.

ON  
Enter to Change

Enter.

( **6100 MDB**)

133.

Manual

( )

133: Decimal Point Adjustment.

Enter

-0,1 2.

Enter ( , . .

).

!! 5.09 5.14 . - « ».

100.

200.

\_\_\_\_\_.

Manual

( ) ,

200.

Sell Mode  
200

:

Multi -

,

,

Single -

,

MODE: Single  
Enter to Change

,

Enter.

Enter

Single

Multi.

(

),

Manual.

201.

( ) ,

Manual

201.

Price Display  
Mode 201

,

Enter.

,

ON.

Enter.

:

Disable -

Enable -

Disable.

Manual.

MODE: Disable  
Enter to Change

202.

\_\_\_\_\_

Manual

( ) ,

202.

203

6100.

Product Price  
Setting 202

Enter

15 16 ) ( , 15 25 ). 99

Channel: NO.1  
Enter to Change

Enter

- ( 0 9).

Set Price  
\$00.00

204

(cashless), 202

Cash cashless  
\$00.00 \$00.00

Enter

Set Price  
Finish

( \_\_\_\_\_ **6100**)

203.

Manual

203

Price Holding  
Mode 203

6100.

VMC ( ).

MODE: VMC  
Enter to Change

(CC6100) Enter. VMC Changer  
Manual.

204. ( ) Manual .

204.

2nd Price For  
Cashless 204

Disable ( . .  
(Enable)

Enter

Enable  
Enter to Change

Manual.

**e-key**

205. ( ) Manual .

205.

Enable Bill  
Acceptance 205

2 :

Always – e-key.  
If card present - e-  
key.

Always  
Enter to Change

Always.

Enter.

Manual.

( **6100 Executive**)  
206. ( ) Manual .

206: Decimal Point Adjustment.



Decimal Point  
Adjustment 206

Enter

-0,1 2.



202,208 209.

Enter ( , . . )

Decimal Point: 2

Change  
Finish



6100  
100

2  
( 100,00 , 1,00).

207.

Manual

( )

207.

Residual Credit  
207

Not Delete -  
Delete -

Not Delete  
Enter to Change

Delete.

Enter.

Manual

208.

Manual

( )

208.

Acceptance limit  
For Changer 208

: 6100 , ( ),  
: «Acceptance

Limit Reached!», 0,

Enter.

Acceptance limit  
\$30.0

Enter,

Acceptance limit  
Finish

Manual

209. Manual

( )

209.

Credit limit For  
Cashless 209

: , ( ),

( 6100)

: «Cashless Limit Reached!», 0,

Enter.

Cashless limit  
\$30.0

Enter,

Cashless limit  
Finish

( 1 9)

( CC6100 Executive)

210. Manual

( ,

210.

Bill(s) per  
Transaction 210

( ) .

( 9 ) .  
«1» .

1.

2.

(

) .

Enter ,

Bill Counts  
3 PCS

Enter.

Setting  
Finish

Manual

211.

Manual

211.

Exact Change  
Notice 211

**Active** –

\* 124

ON,

“No Change” (

124:

)  
(1-2-5)

\* 10

\* 124

OFF,

“No Change” (

)  
(1-2-5)

**Not Active** –

No Change

Not Active  
Enter to Change

Enter.

Manual

(8)

( )

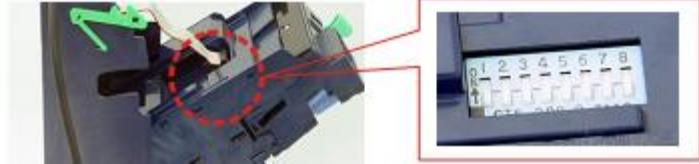


Figure 9

	ON	OFF
1.	( 1 . ) ,	1 .
2.	( 2 . ) ,	2 .
3.	( 5 . ) ,	5 .
4.	( 10 . ) , MDB - 5.09 EXE - 5.12 10 . ON - 10 . ( )	10 . MDB - 5.09 EXE - 5.12 10 . Off - 10 .
5.	MDB ( EXE CC6100)	Executive
6.		
7.		
8.		( )

7 -

( )

!!! ( .29)

1.

CCE6#SSP01IE00FRU406(5587)(5.07)

CCM6#SZS01IZ0ZWRU406(1FE6)(5.01)( 25 2014 .)

1. ,
2. 2 : + .
3. 7 ON
4. ,
5. 1 ( ) ,

6. 7 Off ,

+++++

2.

CCE6#SSP03IES0DRU407(BA0A)(5.10)

CCM6#SZS0KIZS03RU407(CFE3)(5.09)( 06 2014 ):

1. ,
2. 6 1 ., 2 ., 5 . !!! 3 . 10 .+3 ,  
10 .( . )
3. 7 ON
4. ,
5. ,



«O» – индекс немагнитных монет 1, 2, 5 р. и «обычных» 10 р.

«N» – индекс магнитных монет 1, 2, 5 р. и «юбилейных» 10 р.

Номинал монеты

порядковый № монеты

6. , 1 ( « ».  
 1998->2001->2005 . .) 10 .  
 ( ):  
 : « » 1\_2 , : « » 1\_3  
 , 3 ( 1 .),  
 :  
 : «N» 1\_1  
 : «N» 1\_2 , : «N» 1\_3.

После этого на дисплее загорится надпись: : « » 2\_1  
 То есть следует приступить к пробрасыванию немагнитных монет номиналом 2 рубля.

Вся процедура калибровки прделывается вышеописанным способом.

7. ( “Calibration finish”) , 7 Off

	/- «O»			/- «N»		
1 .	1997	2007	2008	2009	2012	2013
2 .	1997	1998	2007	2009	2012	2013
5 .	1997	08	2009	2011	2012	2012
10 .						
	2009	2010	2011	6100 ,		
				2011 - ...		

\*\*\*\*\*



, . . . 2009 .

1,2 5 .,

\*\*\*\*\*

\*\*\* ! – 10 2 («N»)

( ) :



\*\*\*\*\*

(“calibration failed”),  
113 – «

» (“default setting”).

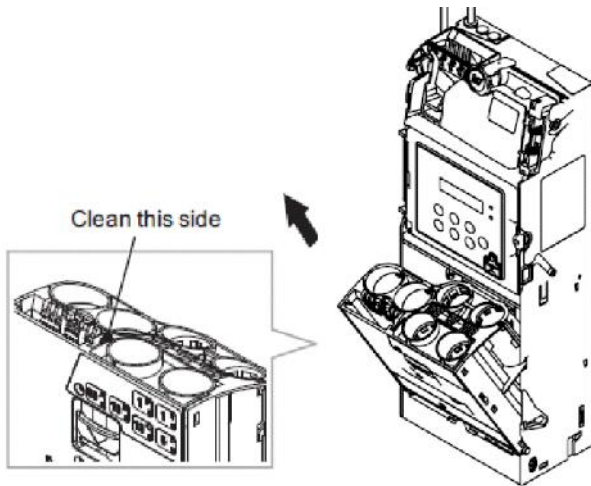
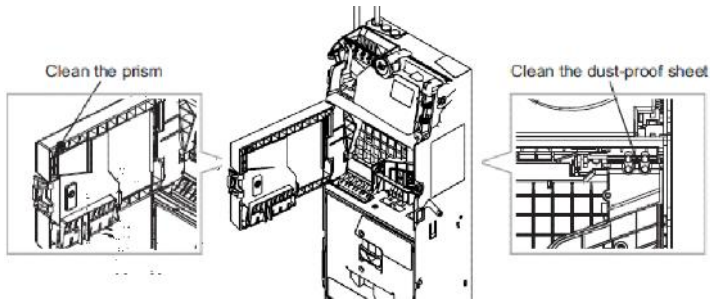
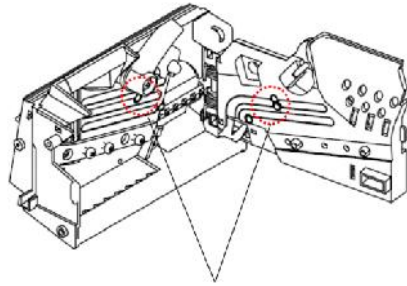
\*\*\*\*\*

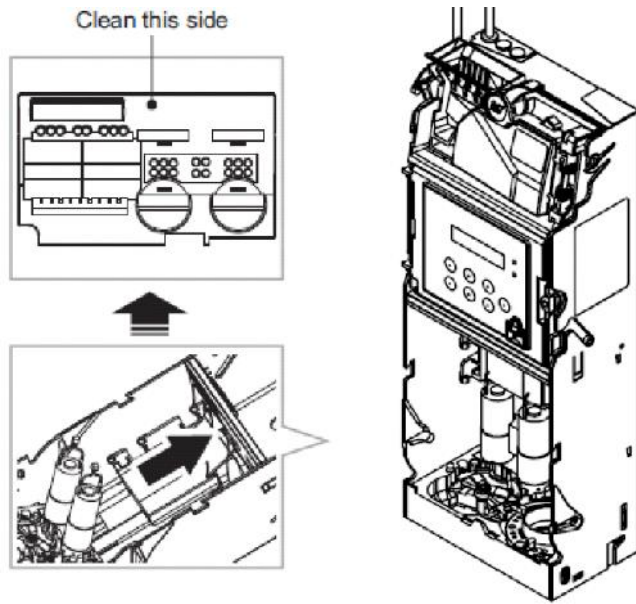
(ON) ( 10 . ON)  
3  
( ) .  
7 OFF, 4

\_\_\_\_\_ 4.  
10 .  
ON.

8 –

« ».





( , ( ) )



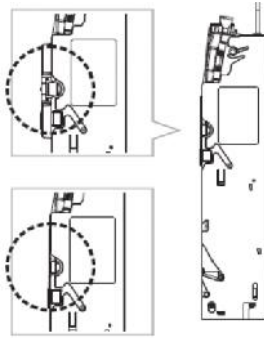
E10	LCM Panel Open	5	+ 2
E11	Checksum Error		
E12	Signal from the coin base was not received when the power was turned on.		
E13	Two seconds after activation, the SYSTEM did not wait for the READY signal from the DEVICE and jumped to the exception. Two seconds after a transaction, the SYSTEM did not wait for the READY signal triggered by the DEVICE.	1	
E14	Coil 1 is damaged.	3	+ 1
E15	Coil 2 is damaged.	3	+ 2
E16	Coil 3 is damaged.	3	+ 3
E17	Low level LED is damaged.	3	+ 5
E18	Coin separator sensor problem.	3	+ 4
E19	The deck is open for over 30 seconds.	5	+ 1
E20	Both the first and second group motors cannot be positioned.	7	
E21	The first motor group cannot be positioned. The first motor group might be damaged, coin or foreign objects might have caused the motor to stuck, coins are stuck in the coin tube, or the semicircle disk has derailed.		
E22	The second motor group cannot be positioned. The second motor group might be damaged, coin or foreign objects might have caused the motor to stuck, coins are stuck in the coin tube, or the semicircle disk has derailed.		
E23	Broke away or incorrectly positioned coin tubes.	5	
E24	Coins got stuck at the coin separation area or the coin tube opening twice in a row, causing the HI Level Sensor to fail to detect the coin twice in a row.	6	+ 4
E25	A Tube Low Level = empty, HI Level = full at setup.		
E26	B Tube Low Level = empty, HI Level = full at setup.		
E27	C Tube Low Level = empty, HI Level = full at setup.		
E28	D Tube Low Level = empty, HI Level = full at setup.		
E29	E Tube Low Level = empty, HI Level = full at setup.		
E30	F Tube Low Level = empty, HI Level = full at setup.		
E31	Barcode Reader error		
E32	The three sets of LEDs used to distinguish Coin size have been damaged.		
	The „Inhibit" signal transmitted by the interface.	2	

**LCM panel open ( \_\_\_\_\_ )**

Sorting Module  
Door Open E10

:5

+2



**Checksum error ( \_\_\_\_\_ )**

« - »

Check Sum Error  
E11

**Payout mode error ( \_\_\_\_\_ )**

Payout Mode Err  
E12

: , 2 , 2

**Communication error ( \_\_\_\_\_ )**

No Communication  
With VMC E13

\_\_\_\_\_  
\_\_\_\_\_  
\_\_\_\_\_

- ;  
- ;

1,2,3

13 +1  
23 +2

- Coil Error #1 E14
- Coil Error #2 E15
- Coil Error #3 E16

**Low level sensor error ( \_\_\_\_\_ )**

:3 +5

Tube Detection  
Sensor Error E17

10

**Sort Sensor Error ( \_\_\_\_\_ )**

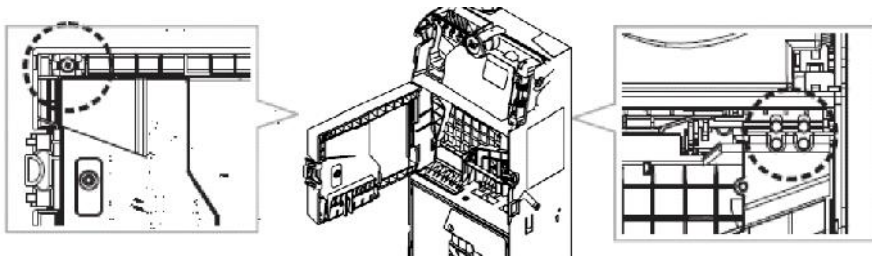
:3 +4

Sorting Module  
Sensor Error E18

10

10 (10 ),

: ( . )



**Deck Open Problem ( \_\_\_\_\_ )**

:5 +1

Coin Validator  
Door Error E19

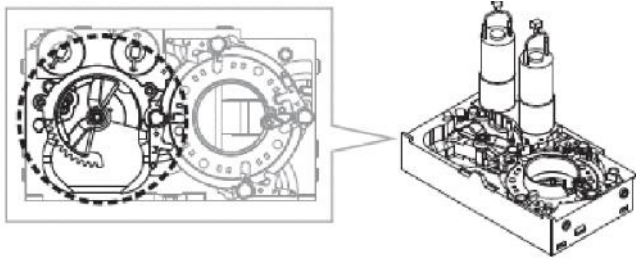
30

:7

All Motor Error  
E20

Motor Error A ( )

Left Motor Error  
E21



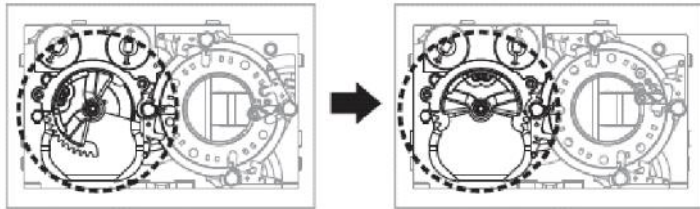
1.

90

2.

( )

90



3.

90

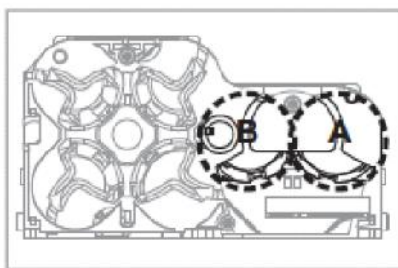
« - ».

4.

( )

90

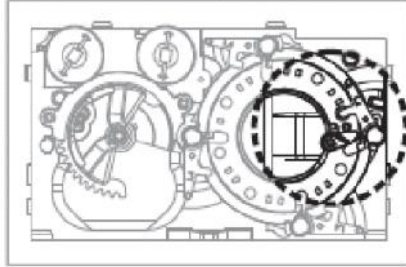
(



Motor Error ( \_\_\_\_\_ )

Right Motor Error  
E22

( C, D, E, F )



1. \_\_\_\_\_ C, D, E F

90

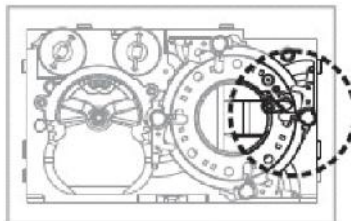
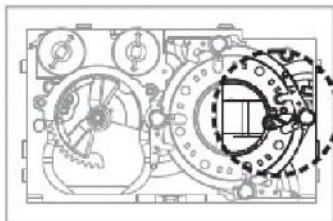
2. \_\_\_\_\_  
( \_\_\_\_\_ )  
C, D, E F

3. \_\_\_\_\_ C, D, E F

90

C, D, E F

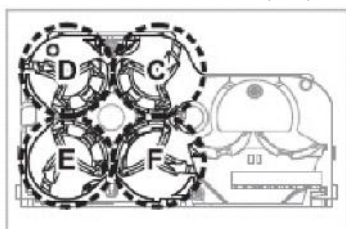
« - ».



4. \_\_\_\_\_ ( \_\_\_\_\_ ) C, D, E

F.  
C, D, E F

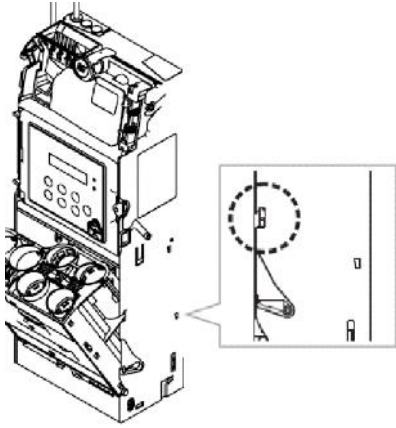
C, D, E F).



Cassette Out –

:5

Cassette Out E23
---------------------



H/L (

:6+4

Coin->Tube Sensor Error E24
--------------------------------

+

H/L (

Tube A Sensor Error E25
----------------------------

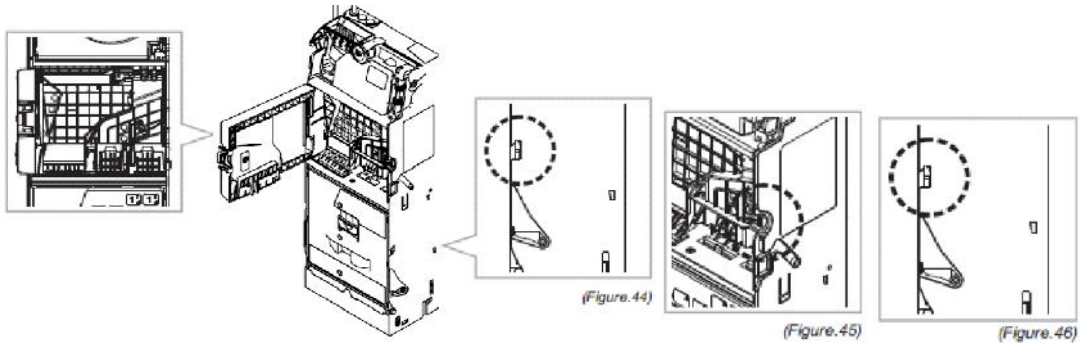
Tube D Sensor Error E28
----------------------------

Tube B Sensor Error E26
----------------------------

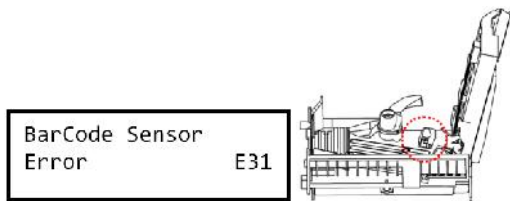
Tube E Sensor Error E29
----------------------------

Tube C Sensor Error E27
----------------------------

Tube F Sensor Error E30
----------------------------

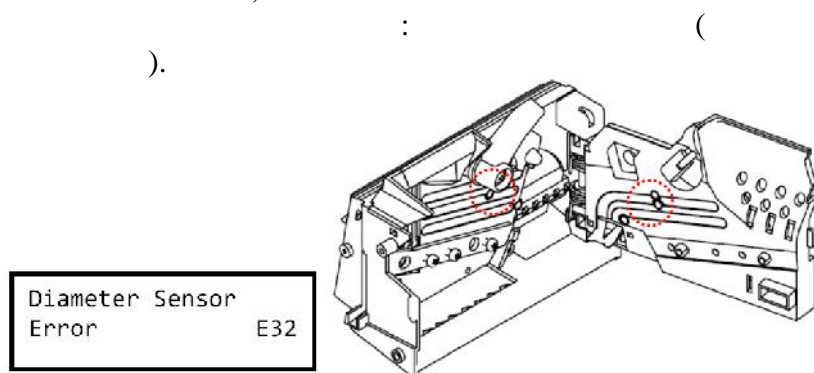


( / )



\_\_\_\_\_

\_\_\_\_\_



Inhibit By VMC!!

- FP-001,
- WEL-R7U03,
- 6100
- Coin Changer Tool V20.5,
- ( 6 . ).
  
- 1. (L2/Normal) 6100 WEL-R7U03,
- 2. 6100,
- 3. , 6100 ( , ),
- 4. Coin Changer Tool V20.5, "calibration mode",
- 5. 6100 "ICT Coin Changer ! Test mode",
- 6. (1 .)
- 7. (1997 , ),
- 8. , WEL-R7U03,
- 9. 6100, .